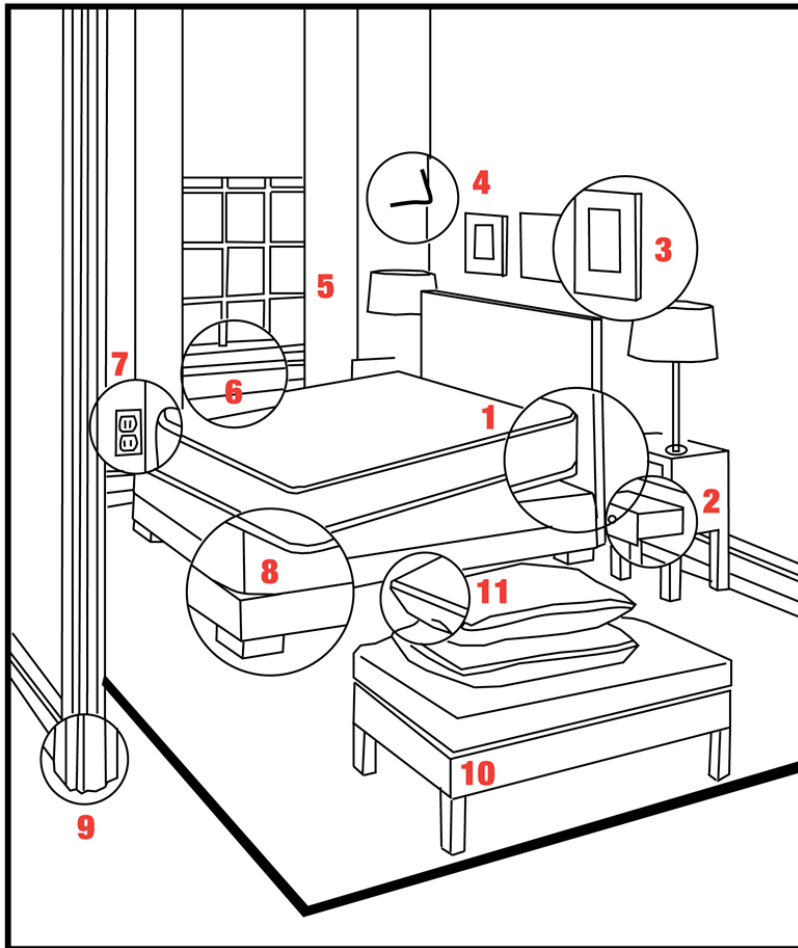


Places to spray where bed bugs can hide and repopulate.



Make sure to spray in these key areas:

- 1. Mattress, box spring, frame and all crevices.**
- 2. Nightstand legs and drawers, cracks/crevices.**
- 3. Behind and around picture frames on walls.**
- 4. Any torn wall paper areas.**
- 5. Curtains.**
- 6. Window sills.**
- 7. Around outlets.**
- 8. Baseboards around bed and furniture.**
- 9. Entry door-jam areas.**
- 10. Chairs, sofa, stools, or other furniture in room.**
- 11. All pillows, blankets, bedskirts, and coverlets.**

Additional hotel areas:

- 1. Luggage holding areas.**
- 2. Luggage carts.**
- 3. Housekeeping carts and soiled laundry holding.**
- 4. Vacuum cleaner fabric or material areas & base.**
- 5. Carpeted hallways at door openings, if applicable.**
- 6. Outside employee lockers (inside if permitted).**
- 7. Hotel transportation vehicle trunk & luggage area.**